



**SISTEMAS DE
IMPLANTES
2024**

OSSTEM[®]
ESPAÑA

1997

- 01 | Funda Osstem (D&D system).
- 12 | Lanza DOOBUNAE (software de reclamación de seguros).

2000

- 06 | Lanza HANARO (software de gestión dental integrada).
- 10 | Asume el control de Soo-min General Dental Goods (Primer fabricante de implantes en Corea).

2001

- 01 | Adquiere certificado CE-0434.
- 03 | Establece la AIC (Apsun Dental Implant, centro de investigación y formación).

2002

- 01 | Crea el centro de I+D+i de Osstem Implant.
- 08 | Aprobada por la FDA en EE.UU.

2003

- 07 | Establece centro de I+D+i de sistemas.

2006

- 03 | Cambia el nombre de empresa a Osstem Implant.
- 09 | Establece una sede en Filadelfia, EE.UU y comienza la construcción del centro de fabricación.
- 12 | Comienza la primera etapa de expansión con sedes en el extranjero (12 países).

2007

- 02 | Entra en el mercado de acciones cotizando en KOSDAQ.
- 11 | Recibe el premio '10 Million Dollar Top Export' el día del comercio.

2008

- 01 | Crea el Centro de Investigación de Ciencias Óseas.
- 07 | Recibe el gran premio de la industria sanitaria Coreana (Ministerio de Salud y Bienestar).
- 12 | Es seleccionada como la organización nacional de desarrollo tecnológico.

2011

- 06 | El centro de I+D+i es seleccionado como ATC (Centro por excelencia de investigación técnica).
- 07 | Es reconocida como coporación World Champ 2011 (KOTRA).
- 12 | Es otorgado el reconocimiento a los productos Osstem de clase mundial (Ministerio de Comercio, Industria y Energía).

2012

- 07 | Crea el centro de I+D+i de equipos médicos.

2015

- 03 | Inaugura Osstem Pharma.
- 12 | Recibe el premio '50 Million Dollar Top Export' en el día del comercio.

2016

- 01 | Lanza la marca Vussen
- 03 | Asume el control de Cardiotec.
- 08 | Toma el control de Hubit.
- 12 | La unidad dental K3 es reconocida como producto de clase mundial para la siguiente generación (Ministerio de Comercio, Industria y Energía).

2017

- 12 | Establece sede en Nueva Zelanda.
- | Recibe mención Presidencial del Gobierno por la creación de empleo.

2018

- 01 | Recibe el 12º Gran Premio a la Gestión de la Satisfacción del Cliente.
- | Crea de un centro de I+D+i sobre diseño de interiores de clínicas dentales.
- 12 | Recibe el Premio 'Tower Prize' de 100 millones de dólares.

2019

- 08 | Inaugura fábrica en Yacheng (China).

2020

- 04 | Mayor vendedor mundial de implantes dentales en 2017, 2018, 2019 y 2020.
- 08 | Establece la filial de Oriente Medio (opera 29 filiales extranjeras en 27 países).
- | Establece y traslada la sede central y el centro de I+D+i de Magok.

2023

- 03 | Abre sucursal en España.
- 08 | Expansión Europea con sedes en Francia, Portugal, Holanda e Italia.

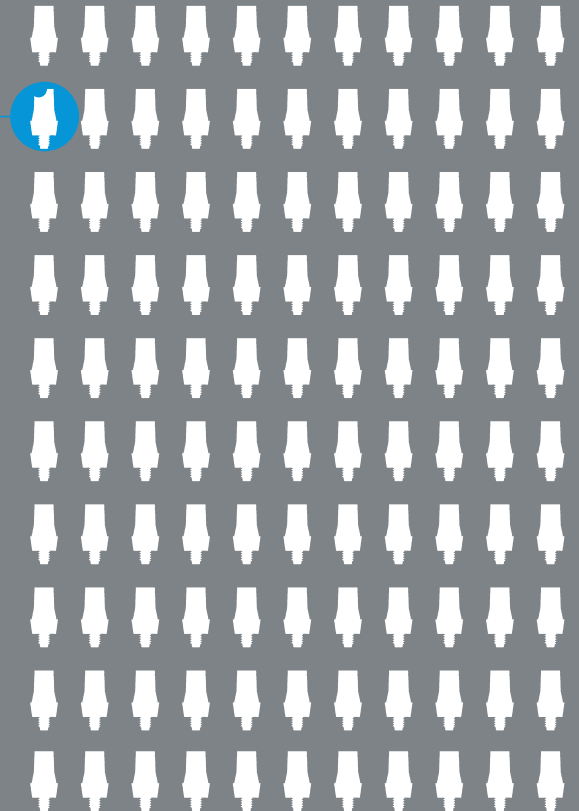




Fabricamos los productos en los que más confían los dentistas, en las instalaciones más innovadoras, invirtiendo más del 11% de las ventas anuales en I+D+i, con un estricto sistema de control de calidad para cada proceso, y el mejor entorno para evitar las fuentes de contaminación.

Objetivo de tasa de defectos del producto

0.0001%



TS SYSTEM	05
TSIII SA Implant	06
TSIII SOI Implant	07
TSIV SA Implant	08
Prótesis TS	09
Prótesis Digital TS	28
US SYSTEM	32
USIII SA Implant	33
USIV SA Implant	34
Prótesis US	35
MS SYSTEM	42
MS SA Implant Narrow Ridge	43
MS SA Implant Denture	43
MS Implant Provisional	43
Prótesis MS	44
OS SYSTEM	46
OrthAnchor Simple Head	47
OrthAnchor Through Hole	47
OrthAnchor Small Head	47
OrthAnchor Bracket Head	48
OrthAnchor Simple Head Half Etched	48
OrthAnchor Through Hole Half Etched	48
USER MANUAL	49

TS SYSTEM

Sistema TS

El sistema de implante TS de Osstem es el sistema de implante más popular utilizado por los implantólogos de todo el mundo, gracias a su morfología y el tratamiento de su superficie de última generación con efecto hemostático y control de pH.

TS



TSIII - Implante sumergido cono 11°

El diseño de rosca en espiral, su ángulo cortante en hélice con efecto de autoroscado, su ángulo apical cortante y su morfología, son óptimos para una excelente estabilidad inicial en cualquier densidad ósea, permitiéndole autonomía en la perforación y el corte y recogiendo el hueso autólogo. Su rosca abierta previene la necrosis ósea y el calentamiento del hueso, mientras que el tratamiento en superficie con arenado con partículas de alúmina y grabado con doble ácido, le confieren una rápida osteointegración.

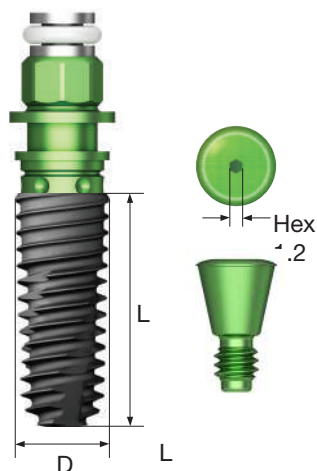
Disponible en: Superficie SA y Superficie SOI

TSIV - Implante sumergido cono 11°

Especialmente diseñado para hueso blando y maxilar superior, tiene una excelente tasa de éxito en huesos de mala calidad. Su excelente capacidad autorroscante con morfología de corte helicoidal, ápice redondeado a 6° y filo de corte, permite colocar el implante con perforación mínima de 2 o 3 mm de diámetro, pudiendo utilizarse en hueso D4 y confiriendo una magnífica estabilidad primaria. Torque recomendado, menos de 40 Ncm.

Disponible en: Superficie SA

TSIII SA Implant



M Mini
R Regular

NoMount implant order code

: implant product code (ex : TS3S4010S)

Pre-Mounted implant (implant + mount + cover screw) order code

: **B** + implant product code (ex : **B**TS3S4010S)

M	D Ø3.0	L	8.5	10	11.5	13
	Hex 2.1 Narrow		TS3M3008S	TS3M3010S	TS3M3011S	TS3M3013S

	D Ø3.5	L	8.5	10	11.5	13
	Hex 2.1		TS3M3508S	TS3M3510S	TS3M3511S	TS3M3513S

R	D Ø4.0	L	7	7	8.5	10	11.5	13
	Hex 2.5		TS3S4006S Extra short	TS3S4007S	TS3S4008S	TS3S4010S	TS3S4011S	TS3S4013S

	D Ø4.5	L	7	7	8.5	10	11.5	13
	Hex 2.5		TS3S4506S Extra short	TS3S4507S	TS3S4508S	TS3S4510S	TS3S4511S	TS3S4513S

	D Ø5.0	L	6	6	6	7	8.5	10	11.5	13
	Hex 2.5		TS3S5004S Extra short	TS3S5005S Extra short	TS3S5006S Short	TS3S5007S	TS3S5008S	TS3S5010S	TS3S5011S	TS3S5013S

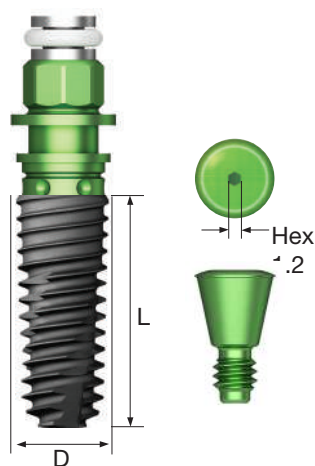
	D Ø5.5	L	6	7	8.5	10	11.5	13
	Hex 2.5		TS3S5506S Short	TS3S5507S	TS3S5508S	TS3S5510S	TS3S5511S	TS3S5513S

Ultra-Wide

	D Ø6.0	L	6	7	8.5	10	11.5	13
	Hex 2.5		TS3S6006S Short	TS3S6007S	TS3S6008S	TS3S6010S	TS3S6011S	TS3S6013S

	D Ø7.0	L	6	7	8.5	10	11.5	13
	Hex 2.5		TS3S7006S Short	TS3S7007S	TS3S7008S	TS3S7010S	TS3S7011S	TS3S7013S

TSIII SOI Implant



- M** Mini
- R** Regular

NoMount implant order code

: implant product code (ex : TS3S4010A)

Pre-Mounted implant (implant + mount + cover screw) order code

: **B** + implant product code (ex : **B**TS3S4010A)

M **D Ø3.0**
Hex 2.1
Narrow

L	8.5	10	11.5	13
	TS3M3008A	TS3M3010A	TS3M3011A	TS3M3013A

D Ø3.5
Hex 2.1

L	8.5	10	11.5	13
	TS3M3508A	TS3M3510A	TS3M3511A	TS3M3513A

R **D Ø4.0**
Hex 2.5

L	7	7	8.5	10	11.5	13
	TS3S4006A Extra short	TS3S4007A	TS3S4008A	TS3S4010A	TS3S4011A	TS3S4013A

D Ø4.5
Hex 2.5

L	7	7	8.5	10	11.5	13
	TS3S4506A Extra short	TS3S4507A	TS3S4508A	TS3S4510A	TS3S4511A	TS3S4513A

D Ø5.0
Hex 2.5

L	6	6	6	7	8.5	10	11.5	13
	TS3S5004A Extra short	TS3S5005A Extra short	TS3S5006A Short	TS3S5007A	TS3S5008A	TS3S5010A	TS3S5011A	TS3S5013A

D Ø5.5
Hex 2.5

L	6	7	8.5	10	11.5	13
	TS3S5506A Short	TS3S5507A	TS3S5508A	TS3S5510A	TS3S5511A	TS3S5513A

Ultra-Wide

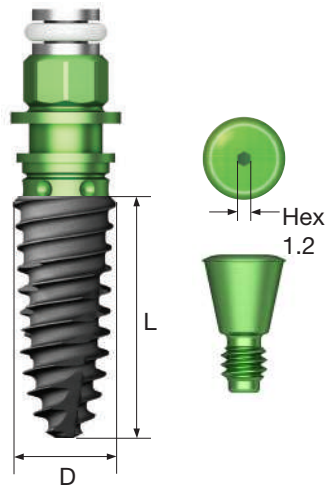
D Ø6.0
Hex 2.5

L	6	7	8.5	10	11.5	13
	TS3S6006A Short	TS3S6007A	TS3S6008A	TS3S6010A	TS3S6011A	TS3S6013A

D Ø7.0
Hex 2.5

L	6	7	8.5	10	11.5	13
	TS3S7006A Short	TS3S7007A	TS3S7008A	TS3S7010A	TS3S7011A	TS3S7013A

TSIV SA Implant



NoMount implant order code

: implant product code (ex : TS4S4010S)

Pre-Mounted implant (implant + mount + cover screw) order code

: **B** + implant product code (ex : **B**TS4S4010S)



D Ø4.0 Pitch 0.8
Hex 2.5

L	7	8.5	10	11.5	13
	TS4S4007S	TS4S4008S	TS4S4010S	TS4S4011S	TS4S4013S

D Ø4.5 Pitch 1.0
Hex 2.5

L	7	8.5	10	11.5	13
	TS4S4507S	TS4S4508S	TS4S4510S	TS4S4511S	TS4S4513S

D Ø5.0 Pitch 1.2
Hex 2.5

L	7	8.5	10	11.5	13
	TS4S5007S	TS4S5008S	TS4S5010S	TS4S5011S	TS4S5013S

Ultra-wide

D Ø6.0
Hex 2.5

L	7	8.5	10	11.5	13
	TS4S6007S	TS4S6008S	TS4S6010S	TS4S6011S	TS4S6013S

D Ø7.0
Hex 2.5

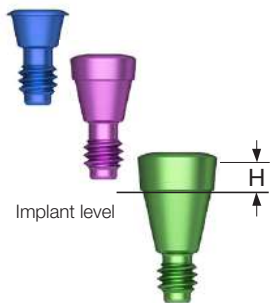
L	7	8.5	10	11.5	13
	TS4S7007S	TS4S7008S	TS4S7010S	TS4S7011S	TS4S7013S

Prótesis **TS**

OSSTEM[®]
IMPLANT

Mount & Screw

Cover Screw



P \ H	0.4	1.4	2.0
M For $\varnothing 3.0$	GSCS30	GSCS30M	GSCS30L
M	GSCS35	GSCS35M	GSCS35L
R	GSCS40S-G	GSCS40M-G	GSCS40L-G

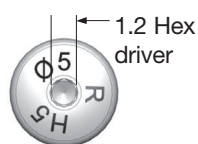
GBR Cover Screw



P \ D	$\varnothing 6.0$	$\varnothing 7.0$
M	TSGCS60AM	TSGCS70AM
R	TSGCS60AR	TSGCS70AR

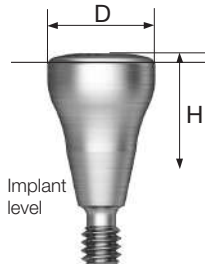
Healing Abutment

M



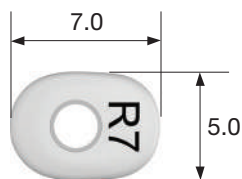
D \ H	3.0	4.0	5.0	6.0	7.0	9.0
$\varnothing 4.0$	TSHA403M	TSHA404M	TSHA405M	TSHA406M	TSHA407M	TSHA409M
$\varnothing 4.5$	TSHA453M	TSHA454M	TSHA455M	TSHA456M	TSHA457M	TSHA459M

R



D \ H	3.0	4.0	5.0	6.0	7.0	9.0
$\varnothing 4.0$	TSHA403R	TSHA404R	TSHA405R	TSHA406R	TSHA407R	TSHA409R
$\varnothing 4.5$	TSHA453R	TSHA454R	TSHA455R	TSHA456R	TSHA457R	TSHA459R
$\varnothing 5.0$	TSHA503R	TSHA504R	TSHA505R	TSHA506R	TSHA507R	TSHA509R
$\varnothing 6.0$	TSHA603R	TSHA604R	TSHA605R	TSHA606R	TSHA607R	TSHA609R
$\varnothing 7.0$	TSHA703R	TSHA704R	TSHA705R	TSHA706R	TSHA707R	TSHA709R
$\varnothing 8.0$	-	-	TSHA805R	-	-	-

Custom Healing Abutment



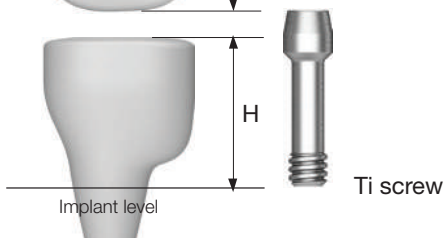
Abutment + Ti screw order code
: product code + TH (ex : TSCAPR7TH)

P \ H	5.0	7.0	9.0
-------	-----	-----	-----

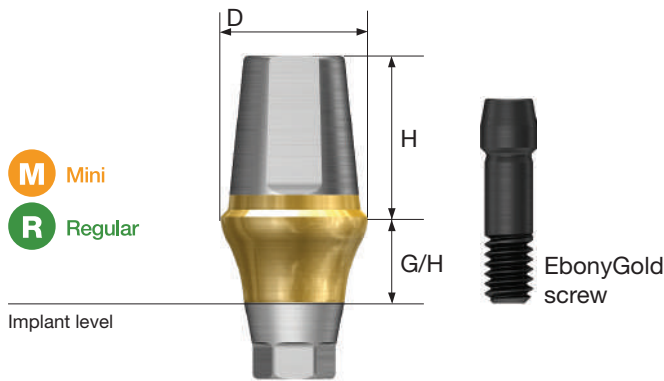
M Ti screw : GSCHABSMT TSCAPM5 TSCAPM7 TSCAPM9

R Ti screw : GSCHABSST TSCAPR5 TSCAPR7 TSCAPR9

TS SYSTEM



Transfer Abutment



Abutment + EbonyGold screw order code
: product code + **WH** (ex : GSTA4621**WH**)

D Ø4.0



EbonyGold screw
: GSABSM

Abutment level
impression not
available

		H \ G/H	1.0	2.0	3.0	4.0
Hex	5.5	GSTA4612	GSTA4622	GSTA4632	GSTA4642	
	7.0	GSTA4712	GSTA4722	GSTA4732	GSTA4742	
Non-Hex	5.5	GSTA4612N	GSTA4622N	GSTA4632N	GSTA4642N	
	7.0	GSTA4712N	GSTA4722N	GSTA4732N	GSTA4742N	
		H \ G/H	5.0	6.0	7.0	
Hex	5.5	GSTA4652	GSTA4662	GSTA4672		
	7.0	GSTA4752	GSTA4762	GSTA4772		
Non-Hex	5.5	GSTA4652N	GSTA4662N	GSTA4672N		
	7.0	GSTA4752N	GSTA4762N	GSTA4772N		

D Ø4.5



EbonyGold screw
: GSABSM

		H \ G/H	1.0	2.0	3.0	4.0
Hex	5.5	GSTA4611	GSTA4621	GSTA4631	GSTA4641	
	7.0	GSTA4711	GSTA4721	GSTA4731	GSTA4741	
Non-Hex	5.5	GSTA4611N	GSTA4621N	GSTA4631N	GSTA4641N	
	7.0	GSTA4711N	GSTA4721N	GSTA4731N	GSTA4741N	
		H \ G/H	5.0	6.0	7.0	
Hex	5.5	GSTA4651	GSTA4661	GSTA4671		
	7.0	GSTA4751	GSTA4761	GSTA4771		
Non-Hex	5.5	GSTA4651N	GSTA4661N	GSTA4671N		
	7.0	GSTA4751N	GSTA4761N	GSTA4771N		

D Ø4.5



EbonyGold screw
: GSABSS

		H \ G/H	1.0	2.0	3.0	4.0
Hex	5.5	GSTAS4611	GSTAS4621	GSTAS4631	GSTAS4641	
	7.0	GSTAS4711	GSTAS4721	GSTAS4731	GSTAS4741	
Non-Hex	5.5	GSTAS4611N	GSTAS4621N	GSTAS4631N	GSTAS4641N	
	7.0	GSTAS4711N	GSTAS4721N	GSTAS4731N	GSTAS4741N	
		H \ G/H	5.0	6.0	7.0	
Hex	5.5	GSTAS4651	GSTAS4661	GSTAS4671		
	7.0	GSTAS4751	GSTAS4761	GSTAS4771		
Non-Hex	5.5	GSTAS4651N	GSTAS4661N	GSTAS4671N		
	7.0	GSTAS4751N	GSTAS4761N	GSTAS4771N		

D Ø5.0EbonyGold screw
: GSABSS

	H \ G/H	1.0	2.0	3.0	4.0
Hex	4.0	GSTA5410	GSTA5420	GSTA5430	GSTA5440
	5.5	GSTA5610	GSTA5620	GSTA5630	GSTA5640
	7.0	GSTA5710	GSTA5720	GSTA5730	GSTA5740
Non-Hex	4.0	GSTA5410N	GSTA5420N	GSTA5430N	GSTA5440N
	5.5	GSTA5610N	GSTA5620N	GSTA5630N	GSTA5640N
	7.0	GSTA5710N	GSTA5720N	GSTA5730N	GSTA5740N

	H \ G/H	5.0	6.0	7.0
Hex	4.0	GSTA5450	GSTA5460	GSTA5470
	5.5	GSTA5650	GSTA5660	GSTA5670
	7.0	GSTA5750	GSTA5760	GSTA5770
Non-Hex	4.0	GSTA5450N	GSTA5460N	GSTA5470N
	5.5	GSTA5650N	GSTA5660N	GSTA5670N
	7.0	GSTA5750N	GSTA5760N	GSTA5770N

D Ø6.0EbonyGold screw
: GSABSS

	H \ G/H	1.0	2.0	3.0	4.0
Hex	4.0	GSTA6410	GSTA6420	GSTA6430	GSTA6440
	5.5	GSTA6610	GSTA6620	GSTA6630	GSTA6640
	7.0	GSTA6710	GSTA6720	GSTA6730	GSTA6740
Non-Hex	4.0	GSTA6410N	GSTA6420N	GSTA6430N	GSTA6440N
	5.5	GSTA6610N	GSTA6620N	GSTA6630N	GSTA6640N
	7.0	GSTA6710N	GSTA6720N	GSTA6730N	GSTA6740N

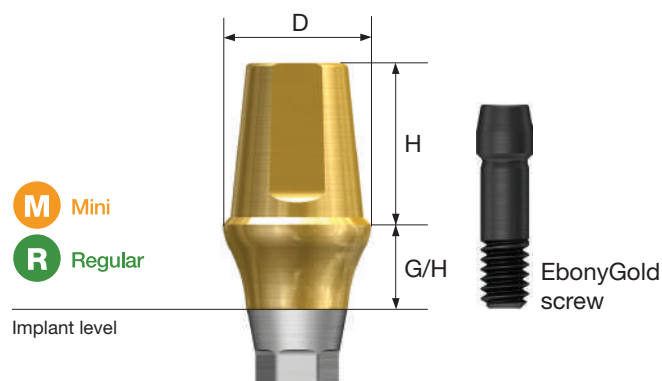
	H \ G/H	5.0	6.0	7.0
Hex	4.0	GSTA6450	GSTA6460	GSTA6470
	5.5	GSTA6650	GSTA6660	GSTA6670
	7.0	GSTA6750	GSTA6760	GSTA6770
Non-Hex	4.0	GSTA6450N	GSTA6460N	GSTA6470N
	5.5	GSTA6650N	GSTA6660N	GSTA6670N
	7.0	GSTA6750N	GSTA6760N	GSTA6770N

D Ø7.0EbonyGold screw
: GSABSS

	H \ G/H	1.0	2.0	3.0	4.0
Hex	4.0	GSTA7410	GSTA7420	GSTA7430	GSTA7440
	5.5	GSTA7610	GSTA7620	GSTA7630	GSTA7640
Non-Hex	4.0	GSTA7410N	GSTA7420N	GSTA7430N	GSTA7440N
	5.5	GSTA7610N	GSTA7620N	GSTA7630N	GSTA7640N

	H \ G/H	5.0	6.0	7.0
Hex	4.0	GSTA7450	GSTA7460	GSTA7470
	5.5	GSTA7650	GSTA7660	GSTA7670
Non-Hex	4.0	GSTA7450N	GSTA7460N	GSTA7470N
	5.5	GSTA7650N	GSTA7660N	GSTA7670N

Transfer ID Abutment



• Transfer abutment not covered by health insurance



Abutment + EbonyGold screw order code
: product code + **WH** (ex : BGSTA4621**WH**)

D Ø4.0



EbonyGold screw
: GSABSM

Abutment level
impression not
available

		H \ G/H	1.0	2.0	3.0	4.0
Hex	5.5	BGSTA4612	BGSTA4622	BGSTA4632	BGSTA4642	
	7.0	BGSTA4712	BGSTA4722	BGSTA4732	BGSTA4742	
Non-Hex	5.5	BGSTA4612N	BGSTA4622N	BGSTA4632N	BGSTA4642N	
	7.0	BGSTA4712N	BGSTA4722N	BGSTA4732N	BGSTA4742N	
		H \ G/H	5.0	6.0	7.0	
Hex	5.5	BGSTA4652	BGSTA4662	BGSTA4672		
	7.0	BGSTA4752	BGSTA4762	BGSTA4772		
Non-Hex	5.5	BGSTA4652N	BGSTA4662N	BGSTA4672N		
	7.0	BGSTA4752N	BGSTA4762N	BGSTA4772N		

D Ø4.5



EbonyGold screw
: GSABSM

		H \ G/H	1.0	2.0	3.0	4.0
Hex	5.5	BGSTA4611	BGSTA4621	BGSTA4631	BGSTA4641	
	7.0	BGSTA4711	BGSTA4721	BGSTA4731	BGSTA4741	
Non-Hex	5.5	BGSTA4611N	BGSTA4621N	BGSTA4631N	BGSTA4641N	
	7.0	BGSTA4711N	BGSTA4721N	BGSTA4731N	BGSTA4741N	
		H \ G/H	5.0	6.0	7.0	
Hex	5.5	BGSTA4651	BGSTA4661	BGSTA4671		
	7.0	BGSTA4751	BGSTA4761	BGSTA4771		
Non-Hex	5.5	BGSTA4651N	BGSTA4661N	BGSTA4671N		
	7.0	BGSTA4751N	BGSTA4761N	BGSTA4771N		

D Ø4.5



EbonyGold screw
: GSABSS

		H \ G/H	1.0	2.0	3.0	4.0
Hex	5.5	BGSTAS4611	BGSTAS4621	BGSTAS4631	BGSTAS4641	
	7.0	BGSTAS4711	BGSTAS4721	BGSTAS4731	BGSTAS4741	
Non-Hex	5.5	BGSTAS4611N	BGSTAS4621N	BGSTAS4631N	BGSTAS4641N	
	7.0	BGSTAS4711N	BGSTAS4721N	BGSTAS4731N	BGSTAS4741N	
		H \ G/H	5.0	6.0	7.0	
Hex	5.5	BGSTAS4651	BGSTAS4661	BGSTAS4671		
	7.0	BGSTAS4751	BGSTAS4761	BGSTAS4771		
Non-Hex	5.5	BGSTAS4651N	BGSTAS4661N	BGSTAS4671N		
	7.0	BGSTAS4751N	BGSTAS4761N	BGSTAS4771N		

D Ø5.0EbonyGold screw
: GSABSS

		H \ G/H	1.0	2.0	3.0	4.0
Hex	4.0		BGSTA5410	BGSTA5420	BGSTA5430	BGSTA5440
	5.5		BGSTA5610	BGSTA5620	BGSTA5630	BGSTA5640
	7.0		BGSTA5710	BGSTA5720	BGSTA5730	BGSTA5740
Non-Hex	4.0		BGSTA5410N	BGSTA5420N	BGSTA5430N	BGSTA5440N
	5.5		BGSTA5610N	BGSTA5620N	BGSTA5630N	BGSTA5640N
	7.0		BGSTA5710N	BGSTA5720N	BGSTA5730N	BGSTA5740N
		H \ G/H	5.0	6.0	7.0	
Hex	4.0		BGSTA5450	BGSTA5460	BGSTA5470	
	5.5		BGSTA5650	BGSTA5660	BGSTA5670	
	7.0		BGSTA5750	BGSTA5760	BGSTA5770	
Non-Hex	4.0		BGSTA5450N	BGSTA5460N	BGSTA5470N	
	5.5		BGSTA5650N	BGSTA5660N	BGSTA5670N	
	7.0		BGSTA5750N	BGSTA5760N	BGSTA5770N	

D Ø6.0EbonyGold screw
: GSABSS

		H \ G/H	1.0	2.0	3.0	4.0
Hex	4.0		BGSTA6410	BGSTA6420	BGSTA6430	BGSTA6440
	5.5		BGSTA6610	BGSTA6620	BGSTA6630	BGSTA6640
	7.0		BGSTA6710	BGSTA6720	BGSTA6730	BGSTA6740
Non-Hex	4.0		BGSTA6410N	BGSTA6420N	BGSTA6430N	BGSTA6440N
	5.5		BGSTA6610N	BGSTA6620N	BGSTA6630N	BGSTA6640N
	7.0		BGSTA6710N	BGSTA6720N	BGSTA6730N	BGSTA6740N
		H \ G/H	5.0	6.0	7.0	
Hex	4.0		BGSTA6450	BGSTA6460	BGSTA6470	
	5.5		BGSTA6650	BGSTA6660	BGSTA6670	
	7.0		BGSTA6750	BGSTA6760	BGSTA6770	
Non-Hex	4.0		BGSTA6450N	BGSTA6460N	BGSTA6470N	
	5.5		BGSTA6650N	BGSTA6660N	BGSTA6670N	
	7.0		BGSTA6750N	BGSTA6760N	BGSTA6770N	

D Ø7.0EbonyGold screw
: GSABSS

		H \ G/H	1.0	2.0	3.0	4.0
Hex	4.0		BGSTA7410	BGSTA7420	BGSTA7430	BGSTA7440
	5.5		BGSTA7610	BGSTA7620	BGSTA7630	BGSTA7640
Non-Hex	4.0		BGSTA7410N	BGSTA7420N	BGSTA7430N	BGSTA7440N
	5.5		BGSTA7610N	BGSTA7620N	BGSTA7630N	BGSTA7640N
		H \ G/H	5.0	6.0	7.0	
Hex	4.0		BGSTA7450	BGSTA7460	BGSTA7470	
	5.5		BGSTA7650	BGSTA7660	BGSTA7670	
Non-Hex	4.0		BGSTA7450N	BGSTA7460N	BGSTA7470N	
	5.5		BGSTA7650N	BGSTA7660N	BGSTA7670N	

Transfer Abutment Components

M Mini
R Regular

Transfer Protect Cap



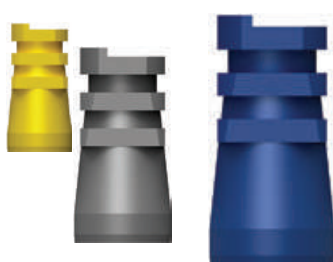
D \ H	4.0	5.5	7.0
∅ 4.0 / ∅ 4.0	GSRPC440	GSRPC460	GSRPC470
∅ 4.5 / ∅ 4.5	GSRPC441	GSRPC461	GSRPC471
∅ 5.0	GSRPC540	GSRPC560	GSRPC570
∅ 6.0	GSRPC640	GSRPC660	GSRPC670
∅ 7.0	-	GSRPC760	-

Transfer Retraction Cap



D \ H	4.0	5.5	7.0
∅ 4.0 / ∅ 4.0	GSRRC440	GSRRC460	GSRRC470
∅ 4.5 / ∅ 4.5	GSRRC441	GSRRC461	GSRRC471
∅ 5.0	GSRRC540	GSRRC560	GSRRC570
∅ 6.0	GSRRC640	GSRRC660	GSRRC670
∅ 7.0	-	GSRRC760	-

Transfer Impression Coping



D \ H	4.0	5.5	7.0
∅ 4.0 / ∅ 4.0	GSRIC440S	GSRIC460S	GSRIC470S
∅ 4.5 / ∅ 4.5	GSRIC441S	GSRIC461S	GSRIC471S
∅ 5.0	GSRIC540S	GSRIC560S	GSRIC570S
∅ 6.0	GSRIC640S	GSRIC660S	GSRIC670S
∅ 7.0	-	GSRIC760S	-

Transfer Burn-out Cylinder

D \ Type



	Single	Bridge
∅ 4.0 / ∅ 4.0	GSRP400S	GSRP400B
∅ 4.5 / ∅ 4.5	GSRP450S	GSRP450B
∅ 5.0	GSRP500S	GSRP500B
∅ 6.0	GSRP600S	GSRP600B
∅ 7.0	GSRP700S	GSRP700B

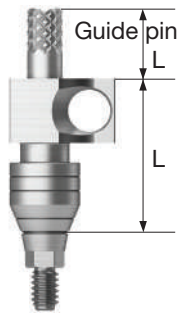
Rigid Lab Analog



D \ H	4.0	5.5	7.0
∅ 4.0 / ∅ 4.0	GSRLA440	GSRLA460	GSRLA470
∅ 4.5 / ∅ 4.5	GSRLA441	GSRLA461	GSRLA471
∅ 5.0	GSRLA540	GSRLA560	GSRLA570
∅ 6.0	GSRLA640	GSRLA660	GSRLA670
∅ 7.0	-	GSRLA760	-

M Mini

R Regular



Implant Pick-up Impression Coping

D \ L	11			0	Guide Pin		
	Type	Hex	Non-Hex		5.0	9.0	
Ø 4.0		GSPIM4011	GSPIM4011N	GSPGPM100	GSPGPM150*	GSPGPM150L	
Ø 4.5		GSPIM4511	GSPIM4511N				
Ø 4.0		GSPIS4011	GSPIS4011N	GSPGPR100	GSPGPR150*	GSPGPR150L	
Ø 4.5		GSPIS4511	GSPIS4511N				
Ø 5.0		GSPIS5011	GSPIS5011N				
Ø 6.0		GSPIS6011	GSPIS6011N				
Ø 7.0		GSPIS7011	GSPIS7011N				



D \ L	15			0	Guide Pin		
	Type	Hex	Non-Hex		5.0	9.0	
Ø 4.0		GSPIM4015	GSPIM4015N	GSPGPM100L	GSPGPM150L*	GSPGPM200L	
Ø 4.5		GSPIM4515	GSPIM4515N				
Ø 4.0		GSPIS4015	GSPIS4015N	GSPGPR100L	GSPGPR150L*	GSPGPR200L	
Ø 4.5		GSPIS4515	GSPIS4515N				
Ø 5.0		GSPIS5015	GSPIS5015N				
Ø 6.0		GSPIS6015	GSPIS6015N				
Ø 7.0		GSPIS7015	GSPIS7015N				



Implant Transfer Impression Coping

D \ L	11		14		
	Type	Hex	Non-Hex	Hex	Non-Hex
Ø 4.0		GSTIM4011	GSTIM4011N	GSTIM4014	GSTIM4014N
Ø 4.5		GSTIM4511	GSTIM4511N	GSTIM4514	GSTIM4514N
Ø 4.0		GSTIS4011	GSTIS4011N	GSTIS4014	GSTIS4014N
Ø 4.5		GSTIS4511	GSTIS4511N	GSTIS4514	GSTIS4514N
Ø 5.0		GSTIS5011	GSTIS5011N	GSTIS5014	GSTIS5014N
Ø 6.0		GSTIS6011	GSTIS6011N	GSTIS6014	GSTIS6014N
Ø 7.0		GSTIS7011	GSTIS7011N	GSTIS7014	GSTIS7014N



Laboratory Screw



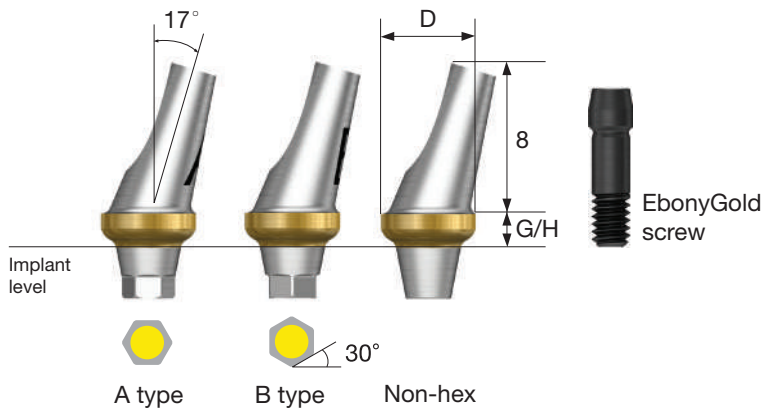
Lab Screw Waxing Screw

M	GSABSML	GSABSMW
R	GSABSSL	GSABSSW

Implant Lab Analog



Angled Abutment



Abutment + EbonyGold screw order code
: product code + WH (ex : GSAA5020AWH)

M Mini
R Regular

D Ø4.0



EbonyGold screw
: GSABSM

G/H	2.0			4.0			
	Type	Hex A	Hex B	Non-Hex	Hex A	Hex B	Non-Hex
		GSAA4020MA	GSAA4020MB	GSAA4020MN	GSAA4040MA	GSAA4040MB	GSAA4040MN

D Ø4.5



EbonyGold screw
: GSABSM

G/H	2.0			4.0			
	Type	Hex A	Hex B	Non-Hex	Hex A	Hex B	Non-Hex
		GSAA4520MA	GSAA4520MB	GSAA4520MN	GSAA4540MA	GSAA4540MB	GSAA4540MN

D Ø4.5



EbonyGold screw
: GSABSS

G/H	2.0			4.0			
	Type	Hex A	Hex B	Non-Hex	Hex A	Hex B	Non-Hex
		GSAA4520A	GSAA4520B	GSAA4520N	GSAA4540A	GSAA4540B	GSAA4540N

D Ø5.0



EbonyGold screw
: GSABSS

G/H	2.0			4.0			
	Type	Hex A	Hex B	Non-Hex	Hex A	Hex B	Non-Hex
		GSAA5020A	GSAA5020B	GSAA5020N	GSAA5040A	GSAA5040B	GSAA5040N

D Ø6.0

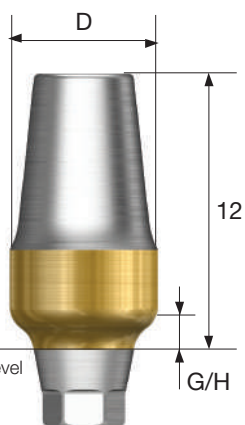


EbonyGold screw
: GSABSS

G/H	2.0			4.0			
	Type	Hex A	Hex B	Non-Hex	Hex A	Hex B	Non-Hex
		GSAA6020A	GSAA6020B	GSAA6020N	GSAA6040A	GSAA6040B	GSAA6040N

FreeForm ST Abutment

Abutment + EbonyGold screw order code
: product code + **WH** (ex : GSFA5015**WH**)



EbonyGold screw

M Mini

R Regular

D Ø4.0	G/H	1.5	3.0		
	Type	Hex	Non-Hex	Hex	Non-Hex



EbonyGold screw
: GSABSM

GSFAM4015	GSFAM4015N	GSFAM4030	GSFAM4030N
-----------	------------	-----------	------------

D Ø4.0	G/H	1.5	3.0		
	Type	Hex	Non-Hex	Hex	Non-Hex



EbonyGold screw
: GSABSS

GSFA4015	GSFA4015N	GSFA4030	GSFA4030N
----------	-----------	----------	-----------

D Ø5.0	G/H	1.5	3.0		
	Type	Hex	Non-Hex	Hex	Non-Hex



(Straight)

EbonyGold screw
: GSABSS

GSFAS5015	GSFAS5015N	GSFAS5030	GSFAS5030N
-----------	------------	-----------	------------

D Ø5.0	G/H	1.5	3.0		
	Type	Hex	Non-Hex	Hex	Non-Hex



EbonyGold screw
: GSABSS

GSFA5015	GSFA5015N	GSFA5030	GSFA5030N
----------	-----------	----------	-----------

D Ø6.0	G/H	1.5	3.0		
	Type	Hex	Non-Hex	Hex	Non-Hex



EbonyGold screw
: GSABSS

GSFA6015	GSFA6015N	GSFA6030	GSFA6030N
----------	-----------	----------	-----------

D Ø7.0	G/H	1.5	3.0		
	Type	Hex	Non-Hex	Hex	Non-Hex



EbonyGold screw
: GSABSS

GSFA7015	GSFA7015N	GSFA7030	GSFA7030N
----------	-----------	----------	-----------

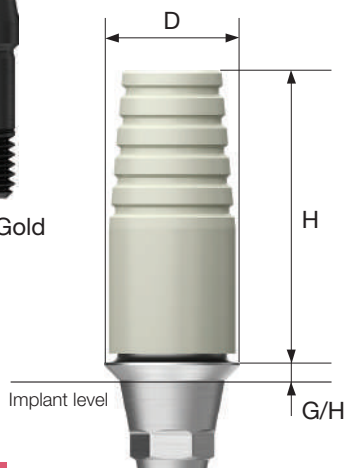
NP-Cast Abutment

Abutment + EbonyGold screw order code
: product code + **WH** (ex : GSNA4510S**WH**)



EbonyGold screw

TS SYSTEM



D Ø4.0	G/H	1.0	3.0		
	Type	Hex	Non-Hex	Hex	Non-Hex



EbonyGold screw
: GSABSM

GSNA4010S	GSNA4010B	GSNA4030S	GSNA4030B
-----------	-----------	-----------	-----------

D Ø4.5	G/H	1.0	3.0		
	Type	Hex	Non-Hex	Hex	Non-Hex

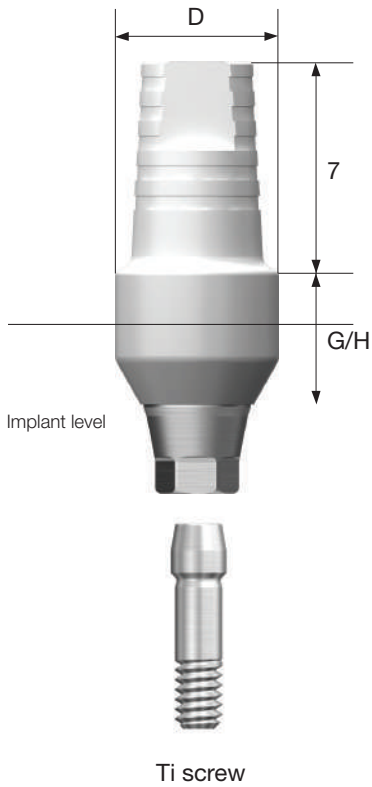


EbonyGold screw
: GSABSS

GSNA4510S	GSNA4510B	GSNA4530S	GSNA4530B
-----------	-----------	-----------	-----------

Quick Temporary Abutment

Abutment + Ti screw order code
: product code + TH (ex : TSQTA5550TH)



D Ø4.0	G/H		1.5		5.0	
	Type	Hex	Non-Hex	Hex	Non-Hex	
M		TSQTA4015M	TSQTA4015MN	TSQTA4050M	TSQTA4050MN	

Ti screw
: GSABSMT

D Ø4.5	G/H		1.5		5.0	
	Type	Hex	Non-Hex	Hex	Non-Hex	
M		-	-	TSQTA4550	TSQTA4550N	

Ti screw
: GSABSMT

D Ø4.5	G/H		1.5		5.0	
	Type	Hex	Non-Hex	Hex	Non-Hex	
R		TSQTA4515R	TSQTA4515RN	TSQTA4550R	TSQTA4550RN	

Ti screw
: GSABSST

D Ø5.5	G/H		1.5		5.0	
	Type	Hex	Non-Hex	Hex	Non-Hex	
R		-	-	TSQTA5550	TSQTA5550N	

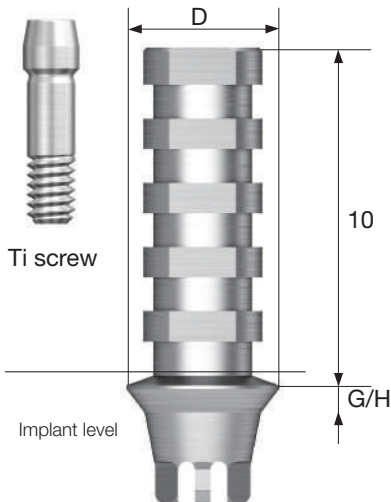
Ti screw
: GSABSST

M Mini

R Regular

Temporary Abutment

Abutment + Ti screw order code
: product code + TH (ex : GSTTA4510TH)



D Ø4.0	G/H		1.0		3.0	
	Type	Hex	Non-Hex	Hex	Non-Hex	
M		GSTTA4010	GSTTA4010N	GSTTA4030	GSTTA4030N	

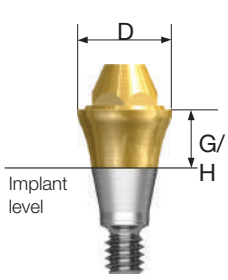
Ti screw
: GSABSMT

D Ø4.5	G/H		1.0		3.0	
	Type	Hex	Non-Hex	Hex	Non-Hex	
R		GSTTA4510	GSTTA4510N	GSTTA4530	GSTTA4530N	

Ti screw
: GSABSST

Multi Abutment

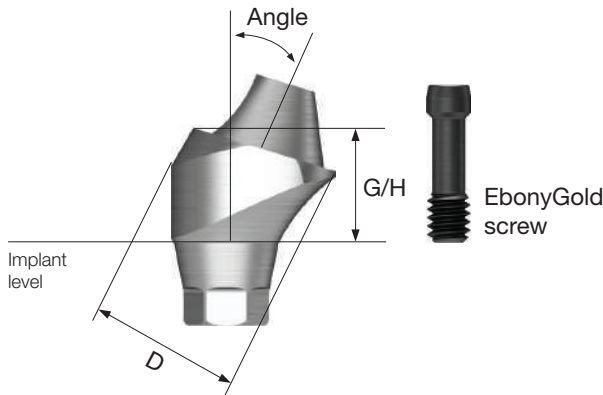
Abutment + carrier order code
: product code + **P** (ex : TSMA5030**P**)



D Ø4.8	G/H	1.0	2.0	3.0	4.0	5.0
M		TSMA5010M	TSMA5020M	TSMA5030M	TSMA5040M	TSMA5050M
D Ø4.8	G/H	1.0	2.0	3.0	4.0	5.0
R		TSMA5010	TSMA5020	TSMA5030	TSMA5040	TSMA5050

Multi Angled Abutment

Abutment + EbonyGold screw + Carrier order code
: product code + **WH** (ex : GS17MAS4840**WH**)



M Mini
R Regular

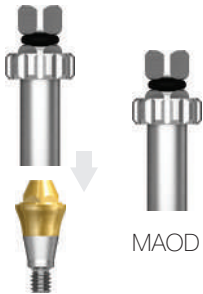
D Ø4.8	Angle \ G/H	2.5	3.0	4.0	
M	17°	GS17MAM4820	GS17MAM4830	GS17MAM4840	
D Ø4.8	Angle \ G/H	3.5	4.0	5.0	
	30°	GS30MAM4830	GS30MAM4840	GS30MAM4850	
D Ø4.8	Angle \ G/H	2.5	3.0	4.0	5.0
R	17°	GS17MAS4820	GS17MAS4830	GS17MAS4840	GS17MAS4850
	Angle \ G/H	3.5	4.0	5.0	
	30°	GS30MAS4830	GS30MAS4840	GS30MAS4850	

EbonyGold screw
: GSMABSM

EbonyGold screw
: GSMABSS

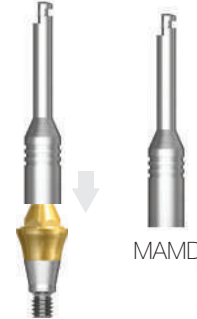
Multi Abutment Components

Multi Abutment Outer Driver



MAOD

Multi Abutment Machine Driver



MAMD

Multi Abutment NP-Cast Cylinder

D \ Type	Hex	Non-Hex
		
	TSMN500	TSMN500N

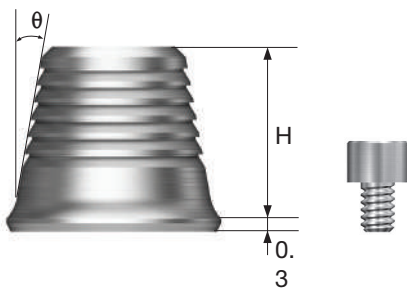
Abutment + Ti Screw order Code
: product code + **TH** (ex : TSMN500**TH**)

Multi Combination Cylinder

D \ Type	Hex	Non-Hex
		
	TSMC500	TSMC500N

Abutment + Ti screw order Code
: product code + **TH** (ex : TSMC500**TH**)

TS Multi Ti Base



Ti base + Ti screw order Code
: product code + **TH** (ex : TSMTB405G**TH**)

H \ Degree(θ)	5°	10°
4	TSMTB0405G	TSMTB0410G
6	TSMTB0605G	-

TS Multi Scan Body



TSM5BC

M Mini

R Regular

W Wide

Esthetic-low Healing Cap



D \ H 6.0

Ø 4.8 / Ø 4.8

MHCR100

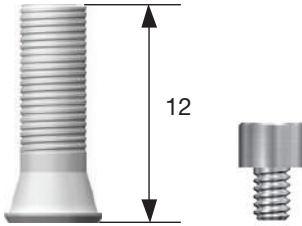
Ø 5.5_{PS}

MHCW100

Esthetic-low Plastic Cylinder

Cylinder + Ti screw order code

: Product code + TH (ex : MEPR200TH)



D \ Type Hex Non-Hex

Ø 4.8 / Ø 4.8

MEPR200

MEPR100

Ø 5.5_{PS}

MEPW200

MEPW100

Ti screw

: MTS200 (Ø 4.8 / Ø 4.8)

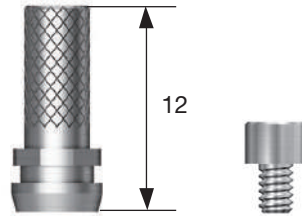
: WTS200 (Ø 5.5PS)

Esthetic-low Temporary Cylinder

Cylinder + Ti screw order code

: product code + TH (ex : MTR200TH)

Standard Type



D \ Type Hex Non-Hex

Ø 4.8 / Ø 4.8

MTR200

MTR100

Ø 5.5_{PS}

MTW200

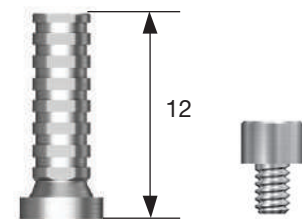
MTW100

Ti screw

: MTS200 (Ø 4.8 / Ø 4.8)

: WTS200 (Ø 5.5PS)

Narrow Type



Cylinder + Ti screw order code

: product code + TH (ex : NMTR200TH)

D \ Type Hex Non-Hex

Ø 4.8 / Ø 4.8

NMTR200

NMTR100

Ø 5.5_{PS}

NMTW200

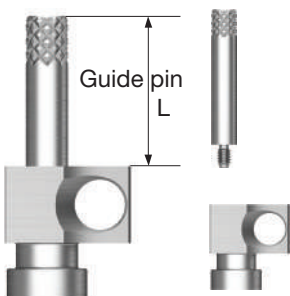
NMTW100

Ti screw

: MTS200 (Ø 4.8 / Ø 4.8)

: WTS200 (5.5PS)

Esthetic-low Pick-up Impression Coping



D \ L	Hex	Non-Hex	Guide Pin			
			5	10	12	15
Ø 4.8 / Ø 4.8	MSR200	MSR100	GP100	GP150*	GP170	GP200
Ø 5.5 _{PS}	MSW200	MSW100	GPW100	GPW150*	-	-

TS SYSTEM

Esthetic-low Transfer Impression Coping



D \ H 8.0

Ø4.8/Ø4.8 MTR100
 Ø5.5^{PS} MTTW100

Esthetic-low Lab Analog

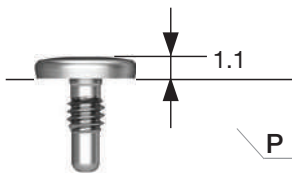


D _____

Ø4.8/Ø4.8 MERR300
 Ø5.5^{PS} MERW300

M Mini
R Regular
W Wide

Cover Screw



P **M** **R** **W**^{PS}

AICM100 AICR100 TICW100

Headless Cover Screw

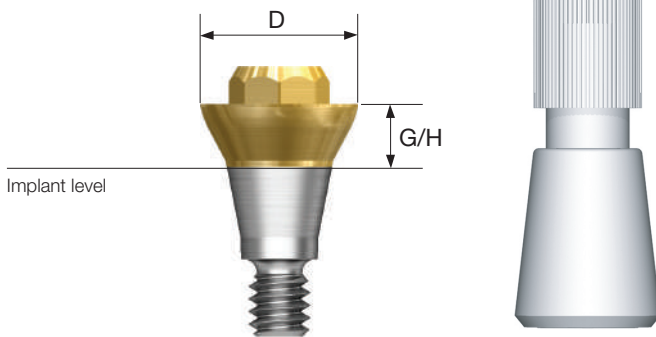


P **M** **R**

HCM100 HCR100

Convertible Abutment

Abutment + carrier order code
 : product code + **P** (ex : GSCA5030**P**)



M Mini
R Regular

D Ø4.0	G/H	1.0	2.0	3.0	4.0	
		GSCA4010	GSCA4020	GSCA4030	GSCA4040	
D Ø4.0	G/H	1.0	2.0	3.0	4.0	
		GSCAS4010	GSCAS4020	GSCAS4030	GSCAS4040	
D Ø5.0	G/H	1.0	2.0	3.0	4.0	5.0
		GSCA5010	GSCA5020	GSCA5030	GSCA5040	GSCA5050
D Ø6.0	G/H	1.0	2.0	3.0	4.0	5.0
		GSCA6010	GSCA6020	GSCA6030	GSCA6040	GSCA6050

Convertible Combination Cylinder

Abutment + EbonyGold screw order code
: product code + **WH** (ex : GSCC5070T**WH**)



D \ H	7.0			
	Type	Hex	Non-Hex	Octa
Ø 4.0 / Ø 4.0	GSCC4070T	GSCC4070TN	-	
Ø 5.0	-	-	-	GSCC5070T
Ø 6.0	-	-	-	GSCC6070T

EbonyGold screw
: GSFSM (Ø 4.0 / Ø 4.0)
: GSFSR (Ø 5.0 / Ø 6.0)

Convertible Angled Cylinder

Abutment + EbonyGold screw order code
: product code + **WH** (ex : GSAC5080T**WH**)



D \ H	8.0			
	Type	Hex	Non-Hex	Octa
Ø 4.0 / Ø 4.0	GSAC4080T	GSAC4080TN	-	
Ø 5.0	-	-	-	GSAC5080T
Ø 6.0	-	-	-	GSAC6080T

EbonyGold screw
: GSFSM (Ø 4.0 / Ø 4.0)
: GSFSR (Ø 5.0 / Ø 6.0)

Convertible Temporary Cylinder

Abutment + Ti screw order code
: product code + **TH** (ex : GSCTC500T**TH**)



D \ H	12			
	Type	Hex	Non-Hex	Octa
Ø 4.0 / Ø 4.0	GSCTC400T	GSCTC400NT	-	
Ø 5.0	-	-	-	GSCTC500T
Ø 6.0	-	-	-	GSCTC600T

Ti screw
: GSFSMT (Ø 4.0 / Ø 4.0)
: GSFSRT (Ø 5.0 / Ø 6.0)

Convertible Plastic Cylinder

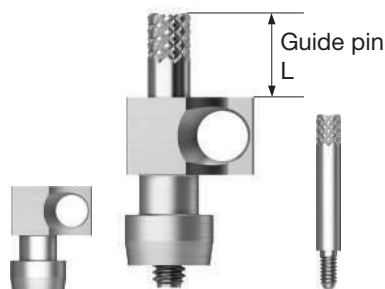
Abutment + EbonyGold screw order code
: product code + **WH** (ex : GSCPL500**WH**)



D \ H	12			
	Type	Hex	Non-Hex	Octa
Ø 4.0 / Ø 4.0	GSCPL400	GSCPL400N	-	
Ø 5.0	-	-	-	GSCPL500
Ø 6.0	-	-	-	GSCPL600

EbonyGold screw
: GSFSM (Ø 4.0 / Ø 4.0)
: GSFSR (Ø 5.0 / Ø 6.0)

Convertible Pick-up Impression Coping



D \ L	Guide Pin		
	0	5.0	
ø 4.0 / ø 4.0	GSPIC400 (Hex / Yellow)	GSCGP400S	GSCGP400L*
ø 5.0	GSPIC500 (Octa / Silver)	GSCGP500S	GSCGP500L*
ø 6.0	GSPIC600 (Octa / Blue)		

Convertible Transfer Impression Coping



D	
ø 4.0 / ø 4.0	GSTIC400 (Hex / Yellow)
ø 5.0	GSTIC500 (Octa / Silver)
ø 6.0	GSTIC600 (Octa / Blue)

Convertible Protect Cap

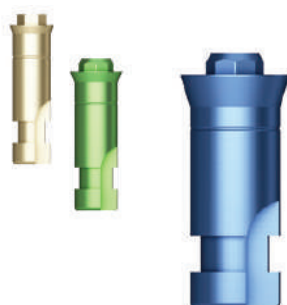
Abutment + EbonyGold screw order code
: product code + **WH** (ex : GSCHC500**WH**)



D	
ø 4.0 / ø 4.0	GSCHC400 (Hex)
ø 5.0	GSCHC500 (Non-octa)
ø 6.0	GSCHC600 (Non-octa)

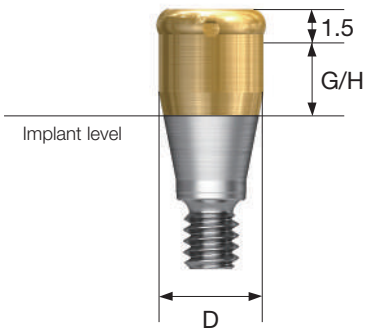
EbonyGold screw
: GSFSM (**ø 4.0 / ø 4.0**)
: GSFSR (**ø 5.0 / ø 6.0**)

Convertible Lab Analog



D	
ø 4.0 / ø 4.0	GSCLA400 (Hex)
ø 5.0	GSCLA500 (Octa)
ø 6.0	GSCLA600 (Octa)

Port Abutment



D Ø3.7	G/H	1.0	2.0	3.0	4.0
		TSPTA3510M	TSPTA3520M	TSPTA3530M	TSPTA3540M
M	G/H	5.0	6.0	7.0	
		TSPTA3550M	TSPTA3560M	TSPTA3570M	
D Ø3.7	G/H	1.0	2.0	3.0	4.0
		TSPTA4010R	TSPTA4020R	TSPTA4030R	TSPTA4040R
R	G/H	5.0	6.0	7.0	
		TSPTA4050R	TSPTA4060R	TSPTA4070R	

M Mini
R Regular

Port Male KIT

PTCMK

Port Replacement Male

PTCM06S PTCM12S PTCM22S

Port Extended Replacement Male

PTCEM06S PTCEM12S

Port Black Processing Male

PTCPMS

Port Male Cap

PTCMC

Port Block Out Spacers

PTCSS

Port Impression Coping

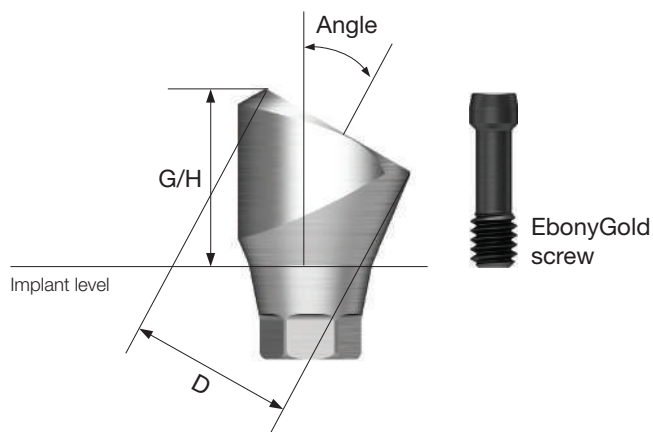
PTCIC

Port Lab Analog

PTCLA40

Port Angled Abutment

Abutment + EbonyGold screw order code
: product code + **WH** (ex : TS30PA455R**WH**)



M Mini
R Regular

D Ø4.6



EbonyGold screw
: GSMABSM

Angle \ G/H	4.0	5.0
10°	TS10PA454M	PA455M
Angle \ G/H	4.0	5.0
17°	TS17PA454M	TS17PA455M
Angle \ G/H	4.0	5.0
30°	TS30PA454M	TS30PA455M
Angle \ G/H	4.0	5.0
10°	TS10PA454R	TS10PA455R
Angle \ G/H	4.0	5.0
17°	TS17PA454R	TS17PA455R
Angle \ G/H	4.0	5.0
30°	TS30PA454R	TS30PA455R

D Ø4.6



EbonyGold screw
: GSMABSS

Port Angled Abutment Head



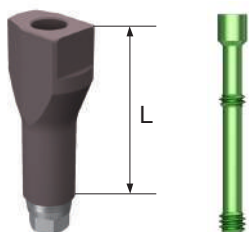
PTAAH450P

Prótesis **Digital TS**

OSSTEM[®]
IMPLANT

Digital Prosthetics Scan Body

TS Scan Body



Scan body + screw order code
: product code + TH (ex : TSNSBRLTH)

	L 8 (Short)	12 (Long)
M	TSNSBMS	TSNSBML
R	TSNSBRS	TSNSBRL

Scan Body Holding Driver

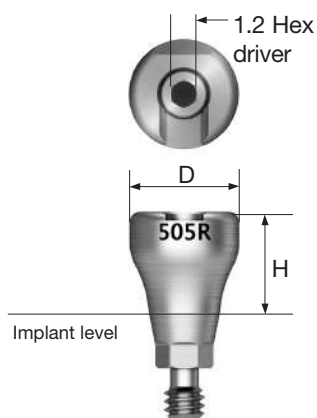


Type	Mini	Regular
	TSNSBHDM	TSNSBHDR

Digital Prosthetics Scan Body

TS Scan Healing Abutment

Scan healing abutment body + Ti screw order code
: product code + TH (ex : TSSHA505RTH)



M Mini
R Regular

D \ H	4.0	5.0	7.0	9.0
Ø4.0	TSSHA404M	TSSHA405M	TSSHA407M	TSSHA409M
D \ H	4.0	5.0	7.0	9.0
Ø4.5	TSSHA454R	TSSHA455R	TSSHA457R	TSSHA459R
Ø5.0	TSSHA504R	TSSHA505R	TSSHA507R	TSSHA509R
Ø6.0	TSSHA604R	TSSHA605R	TSSHA607R	TSSHA609R

Digital Prosthetics Digital Lab Analog

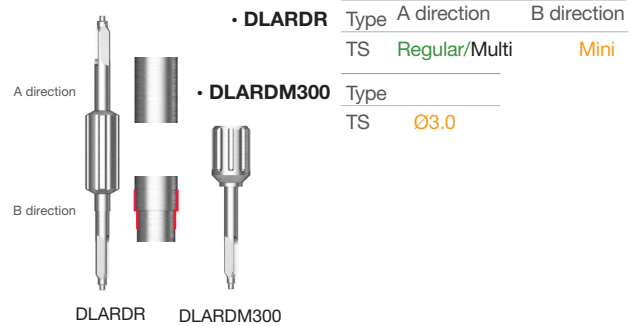
Digital Lab Analog



Positioning Jig

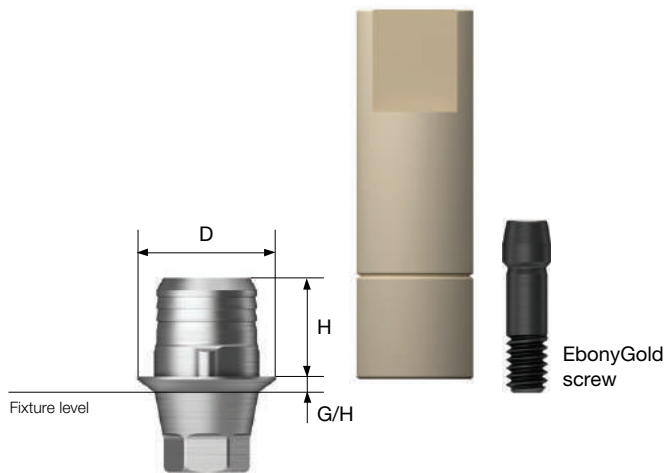


Reamer Drill



Link Abutment for Public

Abutment + EbonyGold screw + scan body
order code
: product code + **WH** (ex : TSPTB431R**WH**)

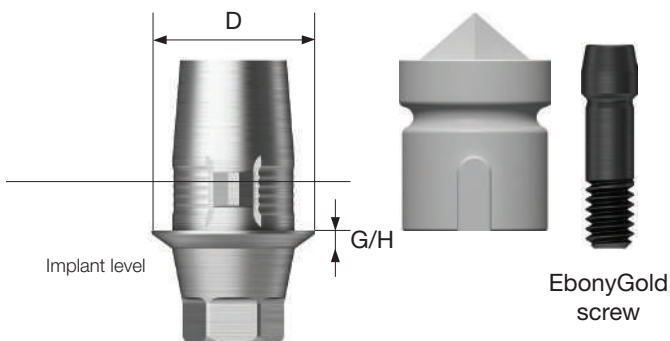


D Ø4.0		G/H		1.0	2.0
		Type			
M EbonyGold screw : GSABSM	Hex	3.0		TSPTB431M	TSPTB432M
		5.0		TSPTB451M	TSPTB452M
	Non-Hex	3.0		TSPTB431MN	TSPTB432MN
		5.0		TSPTB451MN	TSPTB452MN
D Ø4.5		G/H		1.0	2.0
		Type			
R EbonyGold screw : GSABSS	Hex	3.0		TSPTB431R	TSPTB432R
		5.0		TSPTB451R	TSPTB452R
	Non-Hex	3.0		TSPTB431RN	TSPTB432RN
		5.0		TSPTB451RN	TSPTB452RN

Digital Prosthetics

Link Abutment (for public / Cerec)

TS Link Abutment for Cerec



Abutment + EbonyGold screw + scan body
order code

: product code + **WH** (ex : TSCTBR**WH**)

D Ø4.5



EbonyGold screw
: GSABSM

G/H	0.6		3	
Type	Hex	Non-Hex	Hex	Non-Hex
	TSCTBM	TSCTBMN	TSCTBM3	TSCTBMN3

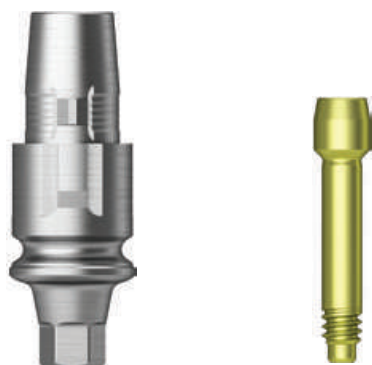
D Ø4.5



EbonyGold screw
: GSABSS

G/H	0.6		3	
Type	Hex	Non-Hex	Hex	Non-Hex
	TSCBTR	TSCBTRN	TSCBTR3	TSCBTRN3

TS Cerec Scan Post



Scan post + screw order code

: product code + **TH** (ex : TSCSPR**TH**)

G/H	0.6		3	
-----	-----	--	---	--



Yellow anodizing screw
: GSABSM

TSCSPM	TSCSPM
--------	--------



Green anodizing screw
: GSABSSL

TSCSPR	TSCSPR
--------	--------

Cerec Scan Body



TSCSBS

US SYSTEM

Sistema US

Se trata de un sistema de implantes tipo sumergido con conexión externa hexagonal y morfología de efecto autorroscante óptimo, con superficie SA, para facilitar la colocación y el ajuste de dirección.

Proporciona una estabilidad inicial mejorada en hueso blando y colocación uniforme según el diámetro de la fresa.

Disponible en varias opciones de cuerpo del implante para combinar con la calidad ósea y el estado clínico del paciente.

US



USIII - Implante sumergido

Excelente estabilidad primaria necesaria para la carga inmediata incluso en huesos blandos, gracias a su cuerpo cónico de 1.5°.

Útil para la colocación en un alvéolo de post extracción en la región posterior, en caso de colocación inmediata o para reemplazar un implante fallido.

Diseño de ápice optimizado para una excelente estabilidad inicial en una extracción reciente o en 3 mm desde la parte inferior.

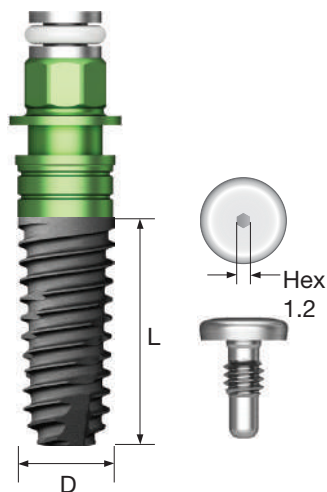
USIV - Implante sumergido

Específicamente diseñado para seno maxilar y hueso blando, proporcionando una excelente estabilidad inicial, gracias a su cuerpo cónico de 6°.

Diseño de ápice afilado que permite la colocación incluso en hueso D4 con perforación $\varnothing 2,0 / \varnothing 3,0$ mm.

USIII SA Implant

- M** Mini
- R** Regular
- W** Wide



NoMount implant order code

: implant product code (ex : US3R4010S)

Pre-Mounted implant (implant + mount + cover screw) order code

: **A** + implant product code (ex : **A**US3R4010S)



D Ø3.5
P Ø3.5
Hex 2.4

L	8.5	10	11.5	13
	US3M3508S	US3M3510S	US3M3511S	US3M3513S



D Ø4.0
P Ø4.1
Hex 2.7

L	7	8.5	10	11.5	13
	US3R4007S	US3R4008S	US3R4010S	US3R4011S	US3R4013S

D Ø4.5
P Ø4.1
Hex 2.7

L	7	8.5	10	11.5	13
	US3R4507S	US3R4508S	US3R4510S	US3R4511S	US3R4513S



D Ø5.0
P Ø5.0
Hex 2.7

L	6	7	8.5	10	11.5	13
	US3P5006S	US3P5007S	US3P5008S	US3P5010S	US3P5011S	US3P5013S
	Short					

Ultra-wide

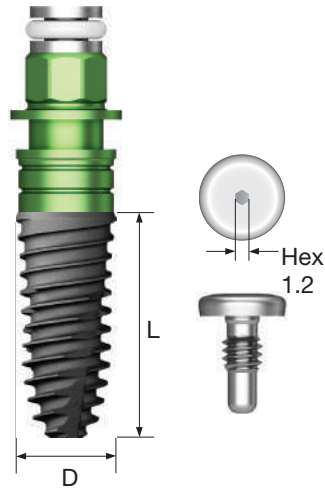
D Ø6.0
P Ø5.1
Hex 3.4

L	6	7	8.5	10	11.5	13
	US3W6006S	US3W6007S	US3W6008S	US3W6010S	US3W6011S	US3W6013S
	Short					

D Ø7.0
P Ø5.1
Hex 3.4

L	6	7	8.5	10	11.5	13
	US3W7006S	US3W7007S	US3W7008S	US3W7010S	US3W7011S	US3W7013S
	Short					

USIV SA Implant



- R** Regular
- W** Wide

Pre-Mounted implant (implant + mount + cover screw) **order code**
: **A** + implant product code (ex : **AUS4R4010S**)

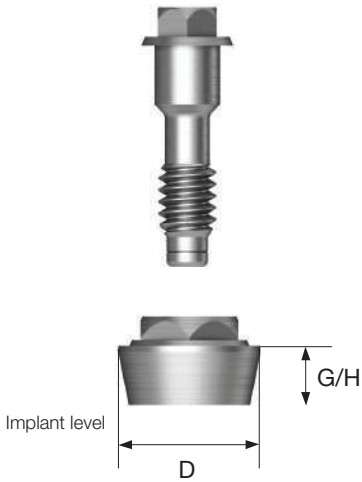
R	D Ø4.0	L	7	8.5	10	11.5	13
	P Ø4.1		US4R4007S	US4R4008S	US4R4010S	US4R4011S	US4R4013S
	Hex 2.7						
W	D Ø4.5	L	7	8.5	10	11.5	13
	P Ø4.1		US4R4507S	US4R4508S	US4R4510S	US4R4511S	US4R4513S
	Hex 2.7						
W^{PS}	D Ø5.0	L	7	8.5	10	11.5	13
	P Ø5.0		US4P5007S	US4P5008S	US4P5010S	US4P5011S	US4P5013S
	Hex 2.7						

Prótesis **US**

OSSTEM[®]
IMPLANT

Esthetic-low Abutment

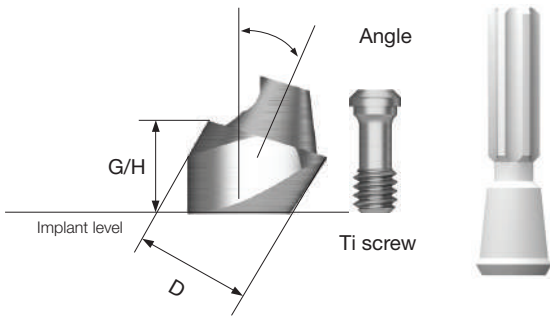
Abutment + Ti screw order code
 : product code + TH (ex : MER200TH)



D Ø4.8	G/H	1.0	2.0	3.0	4.0	5.0
		M	MEM100	MEM200	MEM300	MEM400
D Ø4.8	G/H	1.0	2.0	3.0	4.0	5.0
		R	MER100	MER200	MER300	MER400
D Ø5.5	G/H	1.0	2.0	3.0	4.0	
		W^{PS}	TMEW100	TMEW200	TMEW300	TMEW400

Multi Angled Abutment

Abutment + Ti screw + Carrier order code
 : product code + TH (ex : US17MAR4830TH)



D Ø4.8	G/H	2.0	3.0	4.0	3.0	4.0	5.0
		M	US17MAM4820	US17MAM4830	-	-	-
D Ø4.8	G/H	2.0	3.0	4.0	3.0	4.0	5.0
		R	US17MAR4820	US17MAR4830	US17MAR4840	US30MAR4830	US30MAR4840

M Mini

R Regular

W Wide

Esthetic-low Healing Cap



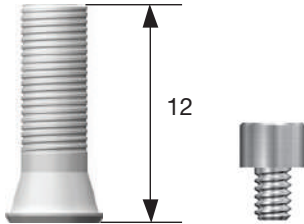
D \ H 6.0

Ø 4.8 / Ø 4.8
Ø 5.5 PS

MHCR100
MHCW100

Esthetic-low Plastic Cylinder

Cylinder + Ti screw order code
: Product code + TH (ex : MEPR200TH)



D \ Type Hex Non-Hex

Ø 4.8 / Ø 4.8
Ø 5.5 PS

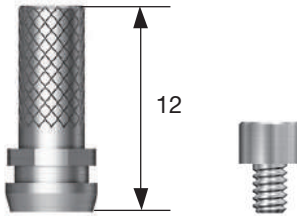
MEPR200 MEPR100
MEPW200 MEPW100

Ti screw
: MTS200 (Ø 4.8 / Ø 4.8)
: WTS200 (Ø 5.5PS)

Esthetic-low Temporary Cylinder

Cylinder + Ti screw order code
: product code + TH (ex : MTR200TH)

Standard Type



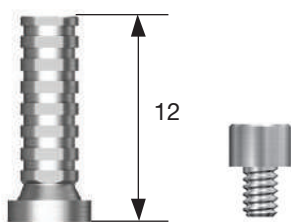
D \ Type Hex Non-Hex

Ø 4.8 / Ø 4.8
Ø 5.5 PS

MTR200 MTR100
MTW200 MTW100

Ti screw
: MTS200 (Ø 4.8 / Ø 4.8)
: WTS200 (Ø 5.5PS)

Narrow Type



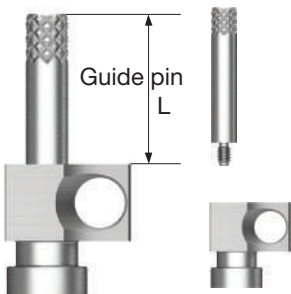
D \ Type Hex Non-Hex

Ø 4.8 / Ø 4.8
Ø 5.5 PS

NMTR200 NMTR100
NMTW200 NMTW100

Ti screw
: MTS200 (Ø 4.8 / Ø 4.8)
: WTS200 (5.5PS)

Esthetic-low Pick-up Impression Coping



D \ L	Hex	Non-Hex	Guide Pin			
			5	10	12	15
Ø 4.8 / Ø 4.8	MSR200	MSR100	GP100	GP150*	GP170	GP200
Ø 5.5 PS	MSW200	MSW100	GPW100	GPW150*	-	-



Esthetic-low Transfer Impression Coping



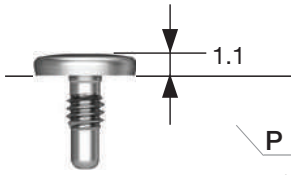
D \ H	8.0
Ø 4.8 / Ø 4.8	MTRR100
Ø 5.5 ^{PS}	MTTW100

Esthetic-low Lab Analog



D	
Ø 4.8 / Ø 4.8	MERR300
Ø 5.5 ^{PS}	MERW300

Cover Screw



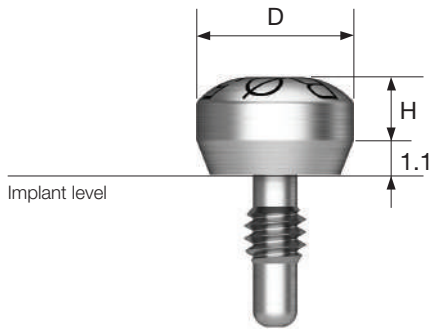
P	M	R	W ^{PS}
	AICM100	AICR100	TICW100

Headless Cover Screw



P	M	R
	HCM100	HCR100

Healing Abutment



D \ H	2.0	3.0	4.0	5.5	7.0
-------	-----	-----	-----	-----	-----

Ø 4.0	-	AIHM403	-	AIHM405	-
Ø 5.0	-	AIHM503	-	AIHM505	-

D \ H	2.0	3.0	4.0	5.5	7.0
-------	-----	-----	-----	-----	-----

Ø 4.1 One Piece	-	AIOHR403	-	AIOHR405	AIOHR407
Ø 4.1 Two Piece	-	AIHR403	-	AIHR405	AIHR407
Ø 5.0	AIHR502	AIHR503	AIHR504	AIHR505	AIHR507
Ø 6.0	AIHR602	AIHR603	AIHR604	AIHR605	AIHR607

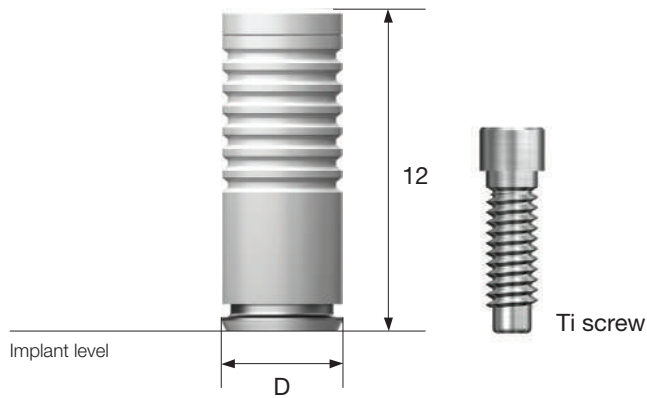
D \ H	2.0	3.0	4.0	5.5	7.0
-------	-----	-----	-----	-----	-----

Ø 6.0 ^{PS}		TIHW603		TIHW605	-
---------------------	--	---------	--	---------	---

NP-Cast Abutment

Abutment + Ti screw order code
: product code + TH (ex : NCR200TH)

- M** Mini
- R** Regular
- W** Wide



D Ø4.0 \ Type Hex Non-Hex



NCM200 NCM100

Ti screw
: USABSMT

D Ø4.5 \ Type Hex Non-Hex



NCR200 NCR100

Ti Screw
: ASR200

D Ø5.5 \ Type Hex Non-Hex

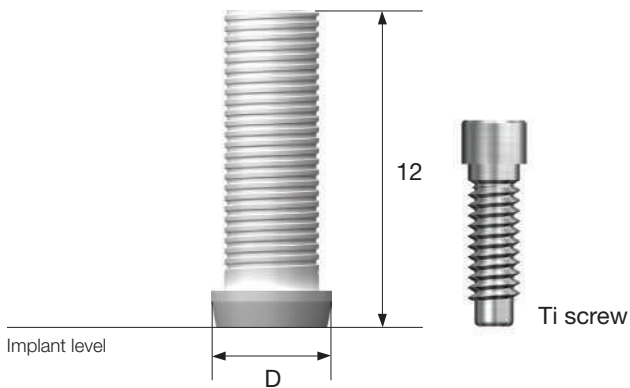


TNCW200 TNCW100

Ti screw
: ASR200

Plastic Abutment

Abutment + Ti screw order code
: product code + TH (ex : PSR200TH)



D Ø4.0 \ Type Hex Non-Hex



PSM200 PSM100

Ti screw
: USABSMT

D Ø4.5 \ Type Hex Non-Hex



PSR200 PSR100

Ti screw
: ASR200

D Ø5.5 \ Type Hex Non-Hex

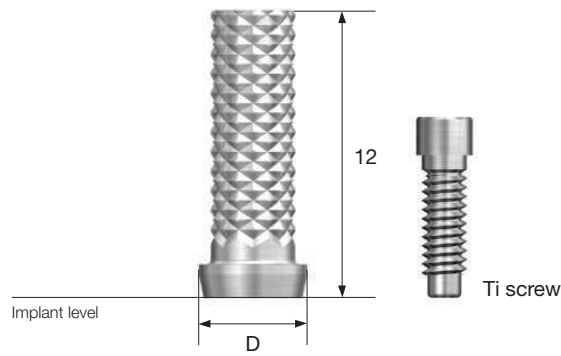


TPSW200 TPSW100

Ti screw
: ASR200

Temporary Abutment

Abutment + Ti screw order code
: product code + TH (ex : TAR200TH)



- M** Mini (Yellow)
- R** Regular (Green)
- W** Wide (Blue)

D Ø4.0 \ Type Hex Non-Hex



TAM200 TAM100

Ti screw
: USABSMT

D Ø4.5 \ Type Hex Non-Hex



TAR200 TAR100

Ti screw
: ASR200

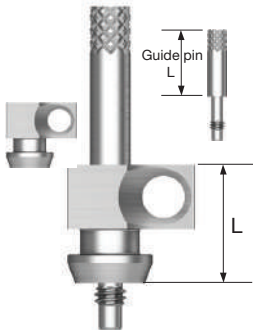
D Ø5.5 \ Type Hex Non-Hex



TTAW200 TTAW100

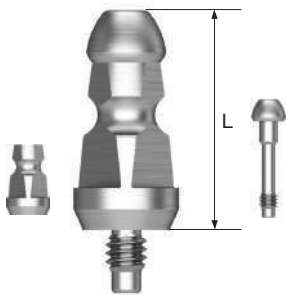
Ti screw
: ASR200

Implant Pick-Up Impression Coping



D \ L	7		12		Guide Pin			
	Type	Hex	Non-Hex	Hex	Non-Hex	10	15	17
Ø 4.0	-	-	-	ICFM400	ICFM400N	-	CSM150	-
Ø 5.0	ICSR500	ICSR500N	ICSR500N	ICFR500	ICFR500N	CSR100	CSR150*	CSR170
Ø 6.0	-	-	-	ICFR600	ICFR600N	-	-	-
Ø 6.0 ^{PS}	-	-	-	TICFW600	TICFW600N	-	TCSW150	-

Implant Transfer Impression Coping



D \ L	10.5		13.5		
	Type	Hex	Non-Hex	Hex	Non-Hex
Ø 4.0	ICPM402S	ICPM401S	ICPM401S	ICPM402L	ICPM401L
Ø 5.0	ICPR502S	ICPR501S	ICPR501S	ICPR502L	ICPR501L
Ø 6.0 ^{PS}	-	-	-	TICPW602	TICPW601

Implant Lab Analog

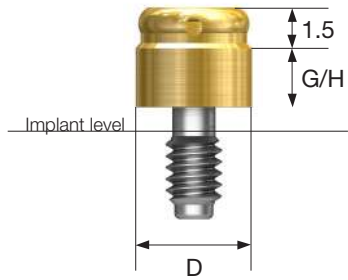


C \

- M** FAM300
- R** FAR300
- W**^{PS} TFAW300

Port Abutment

M Mini
R Regular



D Ø3.5	G/H	1.0	2.0	3.0	4.0
M		USPTA3510M	USPTA3520M	USPTA3530M	USPTA3540M
		USPTA3550M	USPTA3560M	USPTA3570M	

D Ø4.1	G/H	1.0	2.0	3.0	4.0
R		USPTA4010R	USPTA4020R	USPTA4030R	USPTA4040R
		USPTA4050R	USPTA4060R	USPTA4070R	

Port Male KIT



Port Replacement Male



Port Extended Replacement Male



Port Black Processing Male



Port Male Cap



Port Block Out Spacers



Port Impression Coping



Port Lab Analog



MS SYSTEM

Sistema MS

Mini implante monobloque, diseñado para casos de espacios estrechos tales como el sector anteroinferior.
Tratamiento de superficie a base de arenado con óxido de alúmina y grabado ácido (SA).
Diseñados para una inserción impecable con una excelente estabilidad.
Forma y tamaño del pilar optimizados para el trabajo protésico.
Torque óptimo de inserción: 30Ncm.



Narrow Ridge

Implante adecuado para cresta estrecha o zona anteroinferior.



Denture

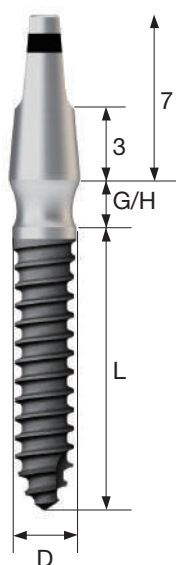
Implante de prótesis adecuado para pacientes edéntulos con hueso estrecho.



Provisional

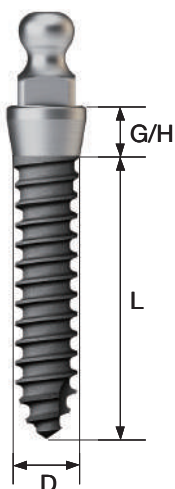
Implante temporal utilizado para prótesis provisional inmediata.

MS SA Implant Narrow Ridge

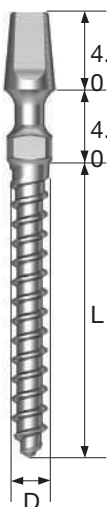


D Ø2.0	G/H \ L	8.5	10	11.5	13
	2.5	MSN2008S25	MSN2010S25	MSN2011S25	MSN2013S25
	4.0	MSN2008S40	MSN2010S40	MSN2011S40	MSN2013S40
D Ø2.5	G/H \ L	8.5	10	11.5	13
	2.5	MSN2508S25	MSN2510S25	MSN2511S25	MSN2513S25
	4.0	MSN2508S40	MSN2510S40	MSN2511S40	MSN2513S40
D Ø3.0	G/H \ L	8.5	10	11.5	13
	2.5	MSN3008S25	MSN3010S25	MSN3011S25	MSN3013S25
	4.0	MSN3008S40	MSN3010S40	MSN3011S40	MSN3013S40

MS SA Implant Denture



D Ø2.0	G/H \ L	8.5	10	11.5	13
	2.0	MSD2008S20	MSD2010S20	MSD2011S20	MSD2013S20
	4.0	MSD2008S40	MSD2010S40	MSD2011S40	MSD2013S40
D Ø2.5	G/H \ L	8.5	10	11.5	13
	2.0	MSD2508S20	MSD2510S20	MSD2511S20	MSD2513S20
	4.0	MSD2508S40	MSD2510S40	MSD2511S40	MSD2513S40
D Ø3.0	G/H \ L	8.5	10	11.5	13
	2.0	MSD3008S20	MSD3010S20	MSD3011S20	MSD3013S20
	4.0	MSD3008S40	MSD3010S40	MSD3011S40	MSD3013S40



MS Implant Provisional

D Ø1.8	L	10	13	15
		MST18104	MST18134	MST18154
D Ø2.5	L	10	13	15
		MST25104	MST25134	MST25154

Prótesis **MS**

OSSTEM[®]
IMPLANT

MS Implant Narrow Ridge Components

Impression Coping (Narrow Ridge)



MSPIC

Temporary Cap



MSPTC

Lab Analog



MSPLA

Burn-out Cylinder

Type **Single** **Bridge**



MSPBCS



MSPBCB

MS Implant Denture Components

O-ring Retainer Cap Set



RCS01

O-ring Set



OACN01S

O-ring Lab Analog (Denture)



MSDLA

MS Implant Provisional Components

Provisional Cap



MSTPC

Lab Analog



MSTLA

OS SYSTEM

Sistema OS

El sistema OS proporciona, no solo una fijación inicial superior, con su excelente torque de implante, sino también la mayor estabilidad y efectividad para los tratamientos de ortodoncia, por su alta resistencia a la fractura.



Simple Head

Superficie mecanizada.
Sin orificio pasante.
Componente conectado: muelle helicoidal (Ø 2,5), cadena de alimentación, banda elástica.



Through Hole

Superficie mecanizada.
Agujero pasante: Ø 0,8.
Componente conectado: alambre de arco (redondo), muelle helicoidal (Ø 2,5), cadena de alimentación, banda elástica.



Small Head

Superficie mecanizada.
Cabeza: Ø 1,48.
Componente conectado: muelle helicoidal (Ø 1,5/2,0/2,5), cadena de alimentación, banda elástica.



Bracket Head

Superficie mecanizada.
Excelente compatibilidad con varios arcos de alambre. Fácil ajuste de trayectoria con la ranura de alambre transversal.
Componente conectado: alambre de arco (rec./redondo), muelle helicoidal (Ø2,5), cadena de alimentación, banda elástica.



Simple Head Half Etched

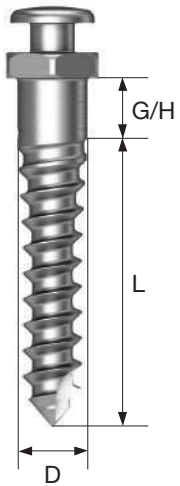
Superficie grabada al ácido. Minimiza la posibilidad de desprendimiento. Efecto estable para niños o adolescentes o casos con mala calidad ósea.
Componente conectado: alambre de arco (redondo), muelle helicoidal (Ø 2,5), cadena de alimentación, banda elástica.



Through Hole Half Etched

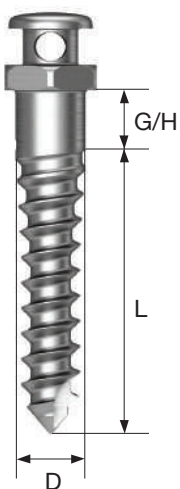
Superficie grabada al ácido. Con orificio pasante. Minimiza la posibilidad de desprendimiento. Efecto estable para niños o adolescentes o casos con mala calidad ósea.
Componente conectado: alambre de arco (redondo), muelle helicoidal (Ø 2,5), cadena de alimentación, banda elástica.

OrthAnchor Simple Head



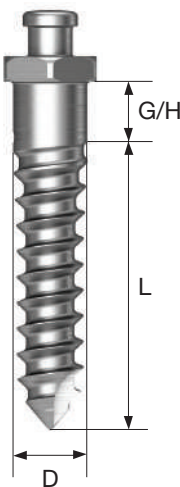
D Ø	G/H \ L	6	8	10
		1.2	1.5	OSSH1206
D Ø1.4	G/H \ L	6	8	10
	1.5	OSSH1406	OSSH1408	-
D Ø1.6	G/H \ L	6	8	10
	1.5	OSSH1606	OSSH1608	OSSH1610
	4.0	OSSH16064	-	-
D Ø1.8	G/H \ L	6	8	10
	1.5	OSSH1806	OSSH1808	OSSH1810
	4.0	OSSH18064	-	-

OrthAnchor Through Hole



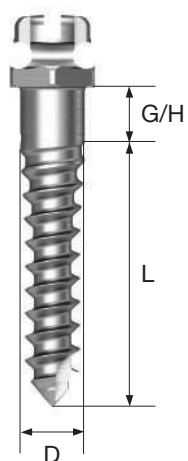
D Ø	G/H \ L	6	8	10
		1.2	1.5	OSTH1206
D Ø1.4	G/H \ L	6	8	10
	1.5	OSTH1406	OSTH1408	-
D Ø1.6	G/H \ L	6	8	10
	1.5	OSTH1606	OSTH1608	OSTH1610
	4.0	OSTH16064	-	-
D Ø1.8	G/H \ L	6	8	10
	1.5	OSTH1806	OSTH1808	OSTH1810
	4.0	OSTH18064	-	-

OrthAnchor Small Head



D Ø	G/H \ L	6	8	10
		1.4	1.5	OSSH1406
D Ø1.6	G/H \ L	6	8	10
	1.5	OSSH1606	OSSH1608	OSSH1610
D Ø1.8	G/H \ L	6	8	10
	1.5	OSSH1806	OSSH1808	OSSH1810

OrthAnchor Bracket Head



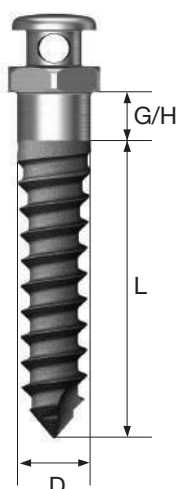
D Ø	G/H \ L	6	8	10
		1.4	OSBH1406	OSBH1408
D Ø 1.6	G/H \ L	6	8	10
		OSBH1606	OSBH1608	OSBH1610
D Ø 1.8	G/H \ L	6	8	10
		OSBH1806	OSBH1808	OSBH1810

OrthAnchor Simple Head Half Etched



D Ø	G/H \ L	6	8	10
		1.2	OSSH1206HE	OSSH1208HE
D Ø 1.4	G/H \ L	6	8	10
		OSSH1406HE	OSSH1408HE	-
D Ø 1.6	G/H \ L	6	8	10
		OSSH1606HE	OSSH1608HE	OSSH1610HE
D Ø 1.8	G/H \ L	6	8	10
		OSSH1806HE	OSSH1808HE	OSSH1810HE

OrthAnchor Through Hole Half Etched



D Ø	G/H \ L	6	8	10
		1.2	OSTH1206HE	OSTH1208HE
D Ø 1.4	G/H \ L	6	8	10
		OSTH1406HE	OSTH1408HE	-
D Ø 1.6	G/H \ L	6	8	10
		OSTH1606HE	OSTH1608HE	OSTH1610HE
D Ø 1.8	G/H \ L	6	8	10
		OSTH1806HE	OSTH1808HE	OSTH1810HE

Manual del usuario 2020.10 ver.6.0 "Productos sanitarios desechables, prohibida su reutilización"

Sistema de implantes Osstem. Descripción del producto

Osstem Implant ofrece una variedad de implantes dentales, y los implantes hechos de titanio de grado médico. Los pilares, materiales protésicos y kits e instrumentos quirúrgicos de Osstem Implant sólo son compatibles con los implantes de Osstem Implants. Si se utilizan con productos de otros fabricantes, pueden causar problemas como aflojamiento y fracturas debido a un apriete incompleto y a problemas de compatibilidad. Para obtener más información sobre los distintos productos, consulte el manual del usuario, el catálogo de productos o visite el sitio web de nuestra empresa (www.osstem.com). Compruebe las etiquetas de los productos para conocer sus códigos, especificaciones, fecha de fabricación y fecha de caducidad.

Esterilización

Los implantes, tornillos de cierre y pilares de cicatrización se limpian y esterilizan con rayos gamma. Estos productos son instrumentos médicos estériles y desechables y deben manipularse en un campo estéril utilizando herramientas esterilizadas para evitar la contaminación y la infección del producto o de la zona de tratamiento. Si el envase se ha abierto, dañado o el producto ha caducado, debe desecharse debido al riesgo de contaminación, infección y fallo de osteointegración. Si se reesteriliza o reutiliza, el producto puede provocar infecciones, fallos de osteointegración y daños en los implantes debido a la menor precisión.

Condiciones de almacenamiento

Conservar en un lugar seco a temperatura ambiente (1~30°C). Mantener alejado de la luz solar directa.

Precauciones generales

Las técnicas quirúrgicas del procedimiento de implante dental implican un complejo proceso por parte del profesional odontológico. Para llevar a cabo la cirugía de implantes, se requiere una formación y educación formales pertinentes. Si el paciente padece enfermedades óseas (osteoporosis, osteomalacia) o enfermedades óseas metabólicas, deben tenerse especialmente en cuenta estas condiciones antes de la cirugía.

Precauciones

La idoneidad del hueso y los procedimientos quirúrgicos adecuados deben tenerse en cuenta a la hora de determinar una cirugía de implantes. Deben prepararse implantes adecuados teniendo en cuenta las situaciones y precauciones previstas. Una carga oclusal excesiva puede provocar el aflojamiento o la fractura de un implante y, para evitarlo, el implante debe colocarse en la ubicación y dirección precisas teniendo en cuenta la relación posicional entre el implante y la dentición opuesta. Un examen dental completo que incluya radiografías es esencial para determinar la información de base necesaria para el procedimiento, las condiciones oclusales y la adecuación del hueso. La planificación quirúrgica, un examen radiográfico suficiente y la inspección del lecho del implante y las estructuras circundantes son necesarios antes de la cirugía de implante.

Procedural precautions

El sistema de implantes Osstem está indicado para procedimientos de una o dos fases. Debe prestarse especial atención a la temperatura, las lesiones quirúrgicas y la eliminación de las fuentes de contaminación e infección en un intento de minimizar el daño al tejido celular del paciente. Todas las fresas y terrajas deben irrigarse de forma continua y suficiente para su refrigeración. La colocación de implantes debe realizarse a muy baja velocidad (25~30 rpm) o manualmente. Un torque excesivo (55 Ncm o superior) puede tener efectos adversos como fractura parcial o necrosis del hueso. No se recomienda colocar un implante inclinado 30° o más debido a la posible fractura del implante. Debe evitarse la carga inmediata del implante después de la cirugía. La calidad ósea y la estabilidad primaria tras la colocación del implante son factores importantes para determinar el tiempo de carga adecuado. Los implantes mini-diámetro o los implantes con diámetro igual o inferior a 4,0 montados con pilar angulado pueden fracturarse debido a las limitaciones de rigidez estructural, por lo que no se recomienda su uso en una región posterior. Los implantes ultraanchos están pensados para su uso exclusivo en la región posterior y no deben utilizarse con pilares angulados. Si se considera el uso de implantes ultra anchos, debe realizarse una evaluación radiográfica para determinar la masa ósea y las posibles restricciones anatómicas.

Los implantes cortos (diámetro igual o superior a 5 mm, longitud inferior a 7 mm) sólo se utilizan para la región posterior. Los clínicos deben examinar minuciosamente al paciente para detectar cualquiera de las siguientes condiciones: 1) Pérdida ósea debida a perimplantitis, 2) Cambios en la respuesta del implante a la prueba de percusión, 3) Cambios verticales en los implantes osteointegrados determinados mediante radiografía. Si el implante corto muestra aflojamiento o una pérdida ósea del 50% o superior, debe considerarse la extracción del implante. Los clínicos deben considerar un procedimiento en dos fases, ferulización con otro implante y colocación de un implante del diámetro más ancho posible. Permita un tiempo de cicatrización suficiente para la osteointegración antes de la prótesis y evite la carga inmediata. Los productos con un diámetro de 3,25 mm o inferior deben utilizarse exclusivamente en dientes anteriores mandibulares para evitar fracturas debidas a una carga oclusal excesiva. Evite aplicar implantes recubiertos de HA sobre hueso duro porque podrían producirse daños y grietas en la capa recubierta. Se recomienda que el torque de colocación del implante sea de 35Ncm o inferior. Las superficies de CA y SOL tienen la misma geometría de superficie física que la de SA realizada mediante granallado y grabado. Estas superficies están diseñadas para mantener la superficie SA químicamente activada mediante el encapsulado de CA en una solución y de SOL en un recubrimiento hidrofílico tras el tratamiento de la superficie SA para evitar que el producto quede expuesto al aire. Así pues, los productos de CA o SOL deben colocarse en la región objetivo al menos en los 15 minutos siguientes a su extracción del vial.

Advertencia

Unas consideraciones inadecuadas en la selección del paciente y un tratamiento incorrecto pueden provocar el fracaso del implante dental o la pérdida del hueso que soporta el implante. Los productos de Osstem Implant no deben utilizarse para fines distintos de los previstos y no deben alterarse de ninguna forma. El aflojamiento del implante, la pérdida de hueso y las infecciones crónicas pueden provocar el fracaso del implante. No utilice el producto si el paciente es alérgico o sensible a las materias primas utilizadas en los implantes de Osstem Implant.

Indicaciones

El sistema de implantes, es una raíz dental artificial diseñada para su uso en el tratamiento con implantes dentales para restaurar los dientes perdidos. Puede colocarse mediante procedimientos quirúrgicos en el hueso maxilar o mandibular para sustituir la raíz del diente natural. El sistema está diseñado para su uso en la fabricación de prótesis provisionales o definitivas en forma de prótesis cementadas, atomilladas, sobredentaduras y puentes fijos para sustituir un solo diente o varios dientes en la región maxilar/mandibular o para pacientes parcial o totalmente desdentados. Los productos con un diámetro igual o inferior a 3,25 mm deben utilizarse únicamente para los dientes anteriores mandibulares con el fin de evitar la fractura por una carga oclusal excesiva.

Efectos secundarios

Existen posibles efectos secundarios tras la cirugía de implantes (pérdida de estabilidad del implante, prótesis dañada, etc.). Estos problemas pueden deberse a la falta de hueso disponible o a la mala calidad del hueso, una infección, una reacción alérgica, una mala higiene bucal del paciente o el incumplimiento de los procedimientos postoperatorios, el movimiento del implante, la degradación del tejido circundante o la colocación/alineación incorrecta del implante.

Contraindicaciones

- Las contraindicaciones son, entre otras, las siguientes:
- Pacientes con hemofilia o problemas relacionados con el tratamiento de huesos o heridas.
 - Pacientes con diabetes no controlada o que beben o fuman en exceso.
 - Pacientes con el sistema inmunitario debilitado debido a una enfermedad o a quimioterapia o radioterapia.
 - Pacientes con infección o inflamación oral (higiene oral inadecuada o bruxismo).
 - Pacientes con maloclusión/trastorno articular incurable y espacio insuficiente en la arcada dental.
 - Otros que se consideren inadecuados para la cirugía.
 - Personas alérgicas o sensibles a las materias primas utilizadas en los implantes Osstem Implant.

Manufacturer : Osstem Implant Co., Ltd.
203, Geoje-daero, Yeonje-gu, Busan, Korea
TEL 82-51-850-2500 FAX 82-51-861-4693



OBELIS S.A.

Bd. Général Wahis, 53
1030 Brussels, Belgium
Tel: +32.2.732.59.54

Storage condition

Dry place at room temperature

Rx only

For USA only : Federal law restricts this device to sale by or on the order of a dentist



2460



Do not use if package is damaged



Sterilized using irradiation



Do not reuse



Catalogue number



Batch code



Use by



Date of manufacture



Non-Sterile



Do not resterilize



Manufacture



Keep away from sunlight



Keep dry



Caution, Consult accompanying documents



OSSTEM[®]
IMPLANT



Osstem Implant Spain S.L. CIF B10993145 Av. Manteras 32 B 1b 28050 Madrid 91 013 69 49